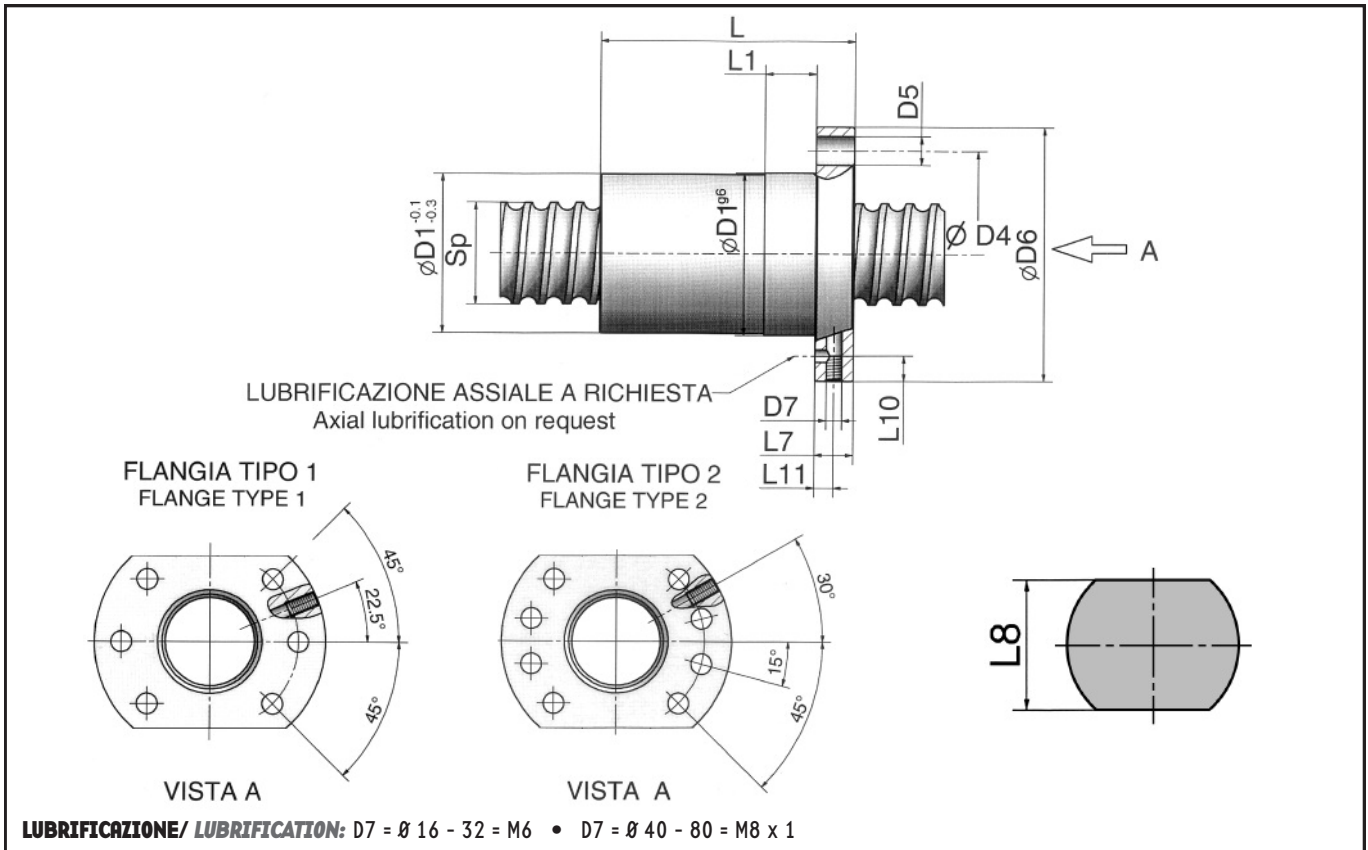


**PROGRAMMA VITI A MAGAZZINO**  
**FAST DELIVERY BALL SCREWS**

**TAB.7**  
 TAB.7

**DIN69051/5**  
 DIN69051/5



Tipo/ Size		Circuiti/ Effect. turns i	Capacità di carico/ Basic Rate Load		Rigidità/ Stiffness Rb/t KN/um	Chioc. tipo/ Nut type		Dimens.chiocciola / Nut dimensions											Sfera Ball mm	Sp(h6) mm
d0 mm	Ph mm		Cdyn (KN)	Cstat (KN)		Singola (L) Single (L)	Doppia (L) Double (L)	D1g6 mm	D4 mm	D5 mm	D6 mm	D7 mm	L1 mm	L7 mm	L8 mm	L9 mm	L10 mm	L11 mm		
16	5	3	8,05	11,08	1,04	45	75	28	38	5,5	48	M6 Tipo -Type 1	10	10	40	44	8	5	2,380	16
20	5	4	17,09	25,37	1,80	52	85	36	47	6,6	58		10	10	44	51		5	3,175	20
25	5	4	21,18	33,48	1,82	60	95	40	51	6,6	62	10	10	48	55	8	5	3,500	24	
	10	3	16,17	24,24	1,37	60	107					16								
32	5	4	23,39	42,24	1,86	60	95	50	65	9	80	M6 Tipo -Type 1	10	12	62	71	6	3,500	30	
	10	4	32,98	54,45	2,50	80	150						16					4,500		
40	5	4	25,81	53,63	1,91	70	110	63	78	9	93	M6 Tipo -Type 2	10	14	70	81,5	7	3,500	38	
	10	4	58,43	97,18	3,44	88	160						16					6,350		
50	5	6	40,87	105,51	2,93	90	150	75	93	11	110	M8x1 Tipo -Type 2	10	16	85	97,5	10	3,500	48	
	10	4	80,41	141,71	3,49	98	165						16					7,500		
63	10	6	128,61	275,60	5,27	120	210	90	108	11	125	M8x1 Tipo -Type 2	16	18	95	110	9	7,500	60	
	20	4	123,74	230,77	5,02	150	290						95					115		13,5

- Classi di precisione IT5 secondo norme ISO/TC39/WG7 179
- Elica destrorsa standard
- Carichi secondo DIN 69051/4
- Rigidità chiocciola secondo DIN 69051/6

- Accuracy classes IT5 according to ISO/TC 39/WG7 179
- R.H. thread as standard
- Load according to DIN 69051/4
- Nut stiffness according to DIN 69051/6